

“SANFIT METAL offers various kinds of union fittings. We make professional suggestions and provide technical support to every combination for you.

UNION FITTINGS

| | | | |
|-------|-----|-------|-------|
| 56-58 | 3A | 67-70 | SMS |
| 59-63 | BSM | 71-74 | DIN |
| 64-66 | IDF | 75-78 | DANSK |



3A-BEVEL SEAT UNION FITTINGS

1. Standards: 3A

2. Applications:

For the Food, Beverage, and other hygiene Industry

3. Materials:

| | |
|----------------|-------------------|
| Hex. Nut..... | TP-304, 316 |
| Liner..... | TP-304, 316, 316L |
| Male part..... | TP-304, 316, 316L |
| Cap..... | TP-304, 316, 316L |

4. Surface Finished:

ID & OD 180 grit or equivalent to 32RA.
Ra Max : 0.8um

5. Size range: 1"----4"

6. Screw: ACME

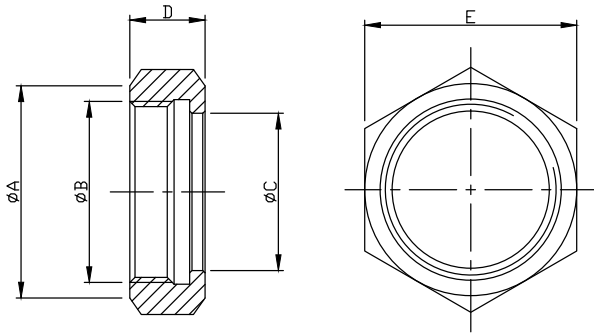


 Sanfit Metal



Bevel Seat Fittings are used on process equipment and piping to ensure rigidity. Bevel seat unions consist of a threaded bevel ferrule joined with a plain bevel ferrule. Both the threaded bevel ferrule and the plain bevel ferrule are available in either 304 or 316L alloy. The ferrules are joined by 304 hex-nuts. Our bevel seat fittings meet all 3A requirements.

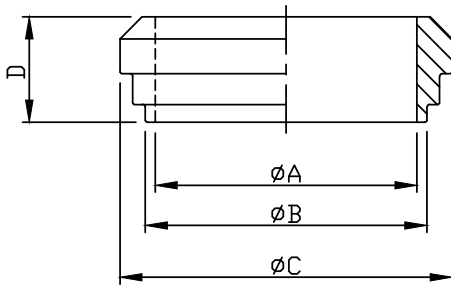
3A-13H HEX NUT



UNIT:mm

| SIZE | Ø A | Ø B | Ø C | D | E |
|------|-------|-----------|-------|-------|-------|
| 1" | 46.0 | 34.3x1/8 | 30.3 | 23.0 | 46.0 |
| 1.5" | 61.1 | 47.9x1/8 | 43.4 | 24.6 | 61.1 |
| 2" | 76.2 | 61.4x1/8 | 56.5 | 27.0 | 76.2 |
| 2.5" | 91.3 | 74.9x1/8 | 69.6 | 30.15 | 91.3 |
| 3" | 106.4 | 88.4x1/8 | 82.7 | 32.5 | 106.4 |
| 4" | 137.6 | 115.4x1/8 | 108.9 | 38.1 | 137.6 |

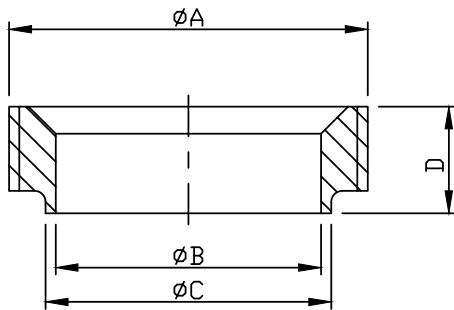
3A-14PRF SHORT LINER



UNIT:mm

| SIZE | Ø A | Ø B | Ø C | D |
|------|------|-------|-------|------|
| 1" | 22.2 | 25.7 | 33.3 | 18.3 |
| 1.5" | 34.9 | 38.4 | 46.8 | 18.3 |
| 2" | 47.5 | 51.1 | 60.2 | 19.1 |
| 2.5" | 60.2 | 63.8 | 73.8 | 22.3 |
| 3" | 72.9 | 76.5 | 87.3 | 23.1 |
| 4" | 97.4 | 101.9 | 114.3 | 26.2 |

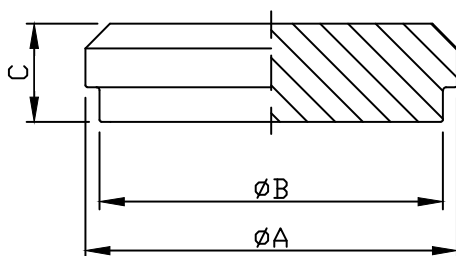
3A-15TRF SHORT MALE



UNIT:mm

| SIZE | Ø A | Ø B | Ø C | D |
|------|-----------------|------|-------|------|
| 1" | 37.1 ACME8TPI | 22.2 | 25.7 | 18.3 |
| 1.5" | 50.7 ACME 8TPI | 34.9 | 38.4 | 18.3 |
| 2" | 64.2 ACME 8TPI | 47.5 | 51.1 | 19.1 |
| 2.5" | 77.7 ACME 8TPI | 60.2 | 63.8 | 22.2 |
| 3" | 91.2 ACME 8TPI | 72.9 | 76.5 | 23.1 |
| 4" | 119.3 ACME 6TPI | 97.4 | 101.9 | 26.2 |

3A-16A CAP

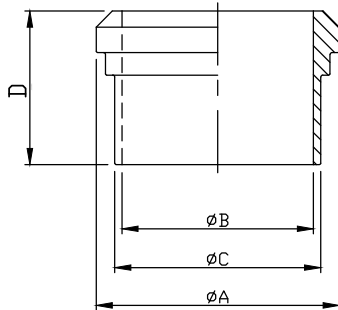


UNIT:mm

| SIZE | Ø A | Ø B | C |
|------|-------|-------|------|
| 1" | 33.3 | 29.5 | 11.9 |
| 1.5" | 46.8 | 42.6 | 14.3 |
| 2" | 60.3 | 55.7 | 15.9 |
| 2.5" | 73.8 | 68.8 | 16.7 |
| 3" | 87.3 | 81.9 | 18.3 |
| 4" | 114.3 | 108.1 | 20.6 |

3A-14A LONG WELDING LINER

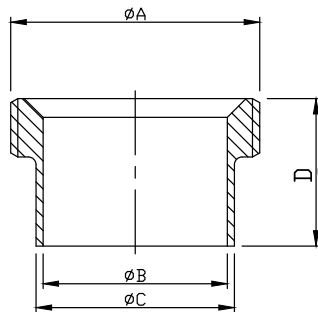
UNIT:mm



| SIZE | ø A | ø B | ø C | D |
|------|-------|------|-------|------|
| 1" | 33.3 | 22.2 | 25.7 | 34.9 |
| 1.5" | 46.8 | 34.9 | 38.4 | 38.1 |
| 2" | 60.3 | 47.5 | 51.1 | 38.1 |
| 2.5" | 73.8 | 60.2 | 63.8 | 44.5 |
| 3" | 87.3 | 72.9 | 76.5 | 44.5 |
| 4" | 114.3 | 97.4 | 101.9 | 44.5 |

3A-15A LONG WELDING MALE PART

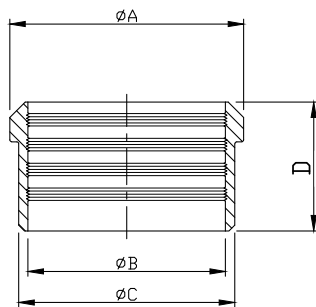
UNIT:mm



| SIZE | ø A | ø B | ø C | D |
|------|------------------|------|-------|------|
| 1" | 37.13 ACME 8TPI | 22.2 | 25.7 | 34.9 |
| 1.5" | 50.65 ACME 8TPI | 34.9 | 38.4 | 38.1 |
| 2" | 64.16 ACME 8TPI | 47.5 | 51.1 | 38.1 |
| 2.5" | 77.67 ACME 8TPI | 60.2 | 63.8 | 44.5 |
| 3" | 91.19 ACME 8TPI | 72.9 | 76.5 | 44.5 |
| 4" | 119.25 ACME 6TPI | 97.4 | 101.9 | 44.5 |

3A-14R RECESSLESS LINER

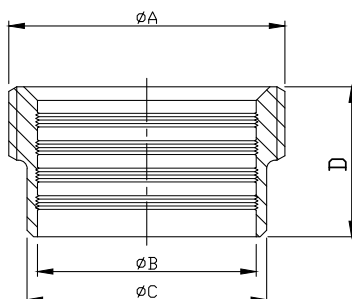
UNIT:mm



| SIZE | ø A | ø B | ø C | D |
|------|-------|-------|-------|------|
| 1" | 33.3 | 25.5 | 29.5 | 19.1 |
| 1.5" | 46.8 | 38.2 | 42.6 | 28.6 |
| 2" | 60.3 | 50.9 | 55.7 | 33.3 |
| 2.5" | 73.8 | 63.6 | 68.8 | 34.9 |
| 3" | 87.3 | 76.3 | 81.9 | 36.5 |
| 4" | 114.3 | 101.7 | 108.1 | 38.1 |

3A-15R RECESSLESS MALE PART

UNIT:mm



| SIZE | ø A | ø B | ø C | D |
|------|--------|-------|-------|------|
| 1" | 37.13 | 25.5 | 29.5 | 20.6 |
| 1.5" | 50.65 | 38.2 | 42.6 | 28.6 |
| 2" | 64.17 | 50.9 | 55.7 | 34.9 |
| 2.5" | 77.67 | 63.6 | 68.8 | 38.1 |
| 3" | 91.19 | 76.3 | 81.9 | 41.3 |
| 4" | 119.25 | 101.7 | 108.1 | 41.3 |

BSM

RJT & CIP

UNION FITTINGS

RJT union is composed of nut,
RJT-14 Weld Liner,
RJT-15 Weld Male and Seal.
RJT nut includes round nut,
hexagonal nut and blank nut.

1. Standards: BS 4825 Part 5.

2. Applications:

For the Food, Beverage, and other
Hygiene Industry

3. Materials:

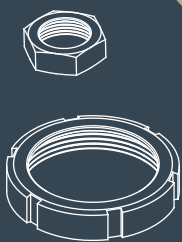
Nut.....TP-304, 316
Liner.....TP-304, 316, 316L
Male part.....TP-304, 316, 316L
Seal.....EPDM, Silicone, Buna-N, Viton.

4. Surface Finished:

Ra Max 0.8um.

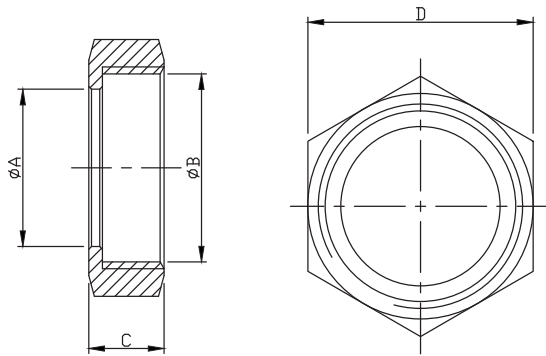
5. Size range:

Imperial 1"----6"



RJT also named
ring joint type
couplings, manufacture
d to the British standard
and widely used for
ease of dismantling for
washing and sterilizing.

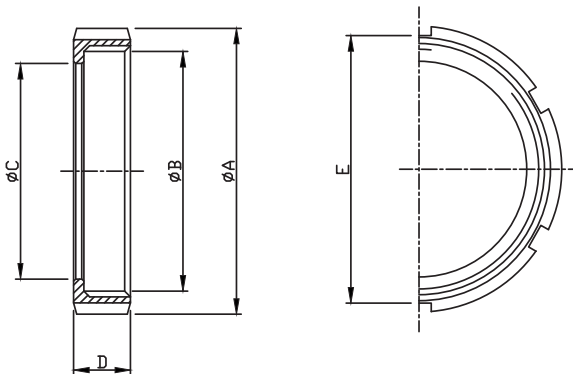
RJT-13H HEX NUT



UNIT:mm

| SIZE | ø A | ø B | C | D |
|------|-------|----------|------|-------|
| 1" | 33.3 | 42.6x8T | 22.0 | 50.8 |
| 1.5" | 46.0 | 55.3x8T | 22.0 | 65.0 |
| 2" | 58.7 | 68.3x6T | 22.0 | 79.4 |
| 2.5" | 71.4 | 80.9x6T | 22.0 | 92.1 |
| 3" | 84.1 | 93.6x6T | 22.0 | 104.6 |
| 4" | 109.5 | 119.1x6T | 22.0 | 130.2 |
| 5" | 134.9 | 144.1x6T | 22.0 | 155.6 |
| 6" | 160.3 | 169.7x6T | 22.0 | 184.0 |

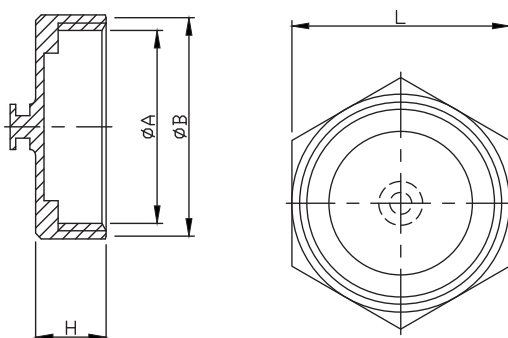
RJT-13R ROUND SLOTTED NUT



UNIT:mm

| SIZE | ø A | ø B | ø C | D | E | SLOT |
|------|-------|----------|-------|------|-------|------|
| 1" | 58.5 | 42.6x8T | 33.3 | 22.2 | 51.2 | 4 |
| 1.5" | 74.0 | 55.3x8T | 46.0 | 22.2 | 66.6 | 6 |
| 2" | 85.5 | 68.3x6T | 58.7 | 22.2 | 78.0 | 6 |
| 2.5" | 98.5 | 80.9x6T | 71.4 | 22.2 | 91.7 | 6 |
| 3" | 111.6 | 93.6x6T | 84.1 | 22.2 | 104.4 | 6 |
| 4" | 139.0 | 119.1x6T | 109.5 | 22.2 | 131.6 | 6 |
| 5" | 172.5 | 144.1x6T | 136.0 | 24.0 | 162.2 | 8 |
| 6" | 197.0 | 169.7x6T | 162.3 | 23.5 | 189.1 | 8 |

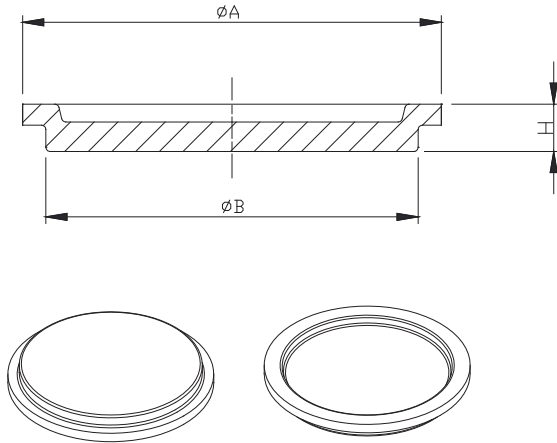
RJT-13AH BLANK NUT



UNIT:mm

| SIZE | ø A | ø B | L | H |
|------|------------|-------|-------|------|
| 1" | 42.6x1/8T | 49.0 | 50.8 | 24.0 |
| 1.5" | 55.3x1/8T | 63.0 | 65.0 | 24.0 |
| 2" | 68.3x1/6T | 77.3 | 79.3 | 25.0 |
| 2.5" | 80.9x1/6T | 90.0 | 92.0 | 26.0 |
| 3" | 93.6x1/6T | 102.7 | 104.7 | 26.0 |
| 4" | 119.1x1/6T | 128.0 | 130.0 | 25.0 |

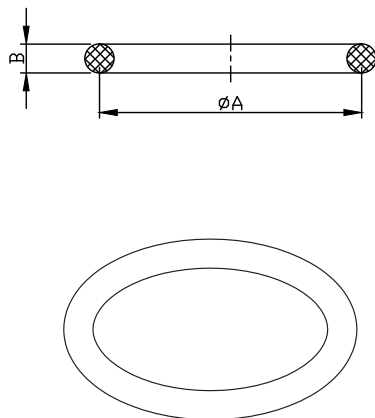
RJT-14AH BLANK LINER



UNIT:mm

| SIZE | ø A | ø B | H |
|------|-------|-------|-----|
| 1" | 41.3 | 32.5 | 9.0 |
| 1.5" | 54.0 | 45.2 | 9.0 |
| 2" | 66.7 | 57.9 | 9.0 |
| 2.5" | 79.4 | 70.6 | 9.0 |
| 3" | 92.1 | 83.3 | 9.0 |
| 4" | 117.5 | 108.7 | 9.0 |
| 5" | 142.9 | 134.0 | 9.0 |
| 6" | 168.3 | 159.5 | 9.0 |

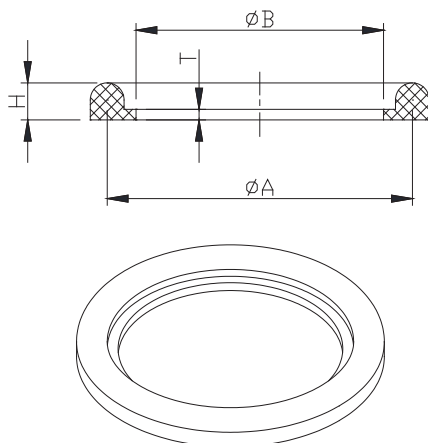
SEAL FOR RJT UNION O-RING



UNIT:mm

| SIZE | ø A | B |
|------|-------|-----|
| 1" | 33.3 | 6.5 |
| 1.5" | 46.0 | 6.5 |
| 2" | 58.7 | 6.5 |
| 2.5" | 71.4 | 6.5 |
| 3" | 84.1 | 6.5 |
| 4" | 109.5 | 6.5 |
| 5" | 134.9 | 6.5 |
| 6" | 160.3 | 6.5 |

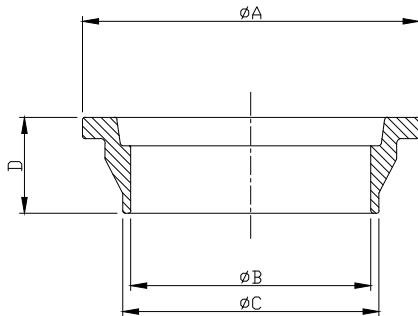
SEAL FOR CIP UNION



UNIT:mm

| SIZE | ø A | ø B | T | H |
|------|-------|-------|-----|-----|
| 1" | 33.3 | 22.2 | 2.0 | 7.0 |
| 1.5" | 46.0 | 34.9 | 2.0 | 7.0 |
| 2" | 58.7 | 47.6 | 2.0 | 7.0 |
| 2.5" | 71.4 | 60.3 | 2.0 | 7.0 |
| 3" | 84.1 | 72.9 | 2.0 | 7.0 |
| 4" | 109.5 | 98.4 | 2.0 | 7.0 |
| 5" | 134.9 | 123.8 | 2.0 | 7.0 |
| 6" | 160.3 | 149.2 | 2.0 | 7.0 |

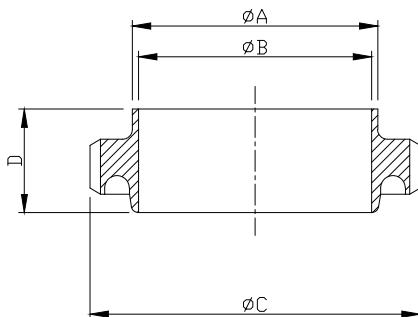
RJT-14 (AUS) WELDING MACHINE LINER



UNIT:mm

| SIZE | ϕA | ϕB | ϕC | D |
|------|----------|----------|----------|------|
| 1" | 41.3 | 22.2 | 25.4 | 19.0 |
| 1.5" | 54.0 | 34.9 | 38.1 | 19.0 |
| 2" | 66.7 | 47.6 | 50.8 | 19.0 |
| 2.5" | 79.4 | 60.3 | 63.5 | 19.0 |
| 3" | 92.1 | 73.0 | 76.2 | 19.0 |
| 4" | 117.5 | 98.4 | 101.6 | 19.0 |
| 5" | 142.9 | 123.8 | 127 | 25.0 |
| 6" | 168.3 | 149.2 | 152.4 | 27.0 |

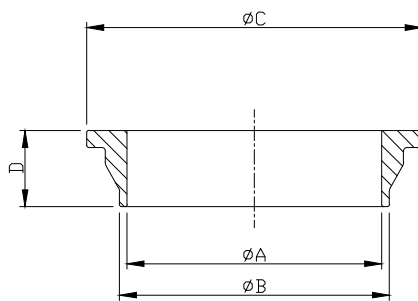
RJT-15 (AUS) WELDING MALE PART



UNIT:mm

| SIZE | ϕA | ϕB | ϕC | D |
|------|----------|----------|----------|------|
| 1" | 25.4 | 22.2 | 45.7x8T | 26.8 |
| 1.5" | 38.1 | 34.9 | 58.4x8T | 26.8 |
| 2" | 50.8 | 47.6 | 72.7x6T | 26.8 |
| 2.5" | 63.5 | 60.3 | 85.4x6T | 26.8 |
| 3" | 76.2 | 73.0 | 98.1x6T | 26.8 |
| 4" | 101.6 | 98.4 | 123.5x6T | 26.8 |
| 5" | 127.0 | 123.8 | 148.9x6T | 26.8 |
| 6" | 152.4 | 149.2 | 174.3x6T | 26.8 |

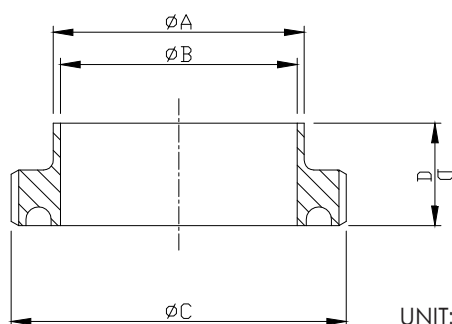
CIP-14 (AUS) FLAT FACE WELDING LINER



UNIT:mm

| SIZE | ϕA | ϕB | ϕC | D |
|------|----------|----------|----------|------|
| 1" | 22.2 | 25.4 | 41.3 | 19.0 |
| 1.5" | 34.9 | 38.1 | 54.0 | 19.0 |
| 2" | 47.6 | 50.8 | 66.7 | 19.0 |
| 2.5" | 60.3 | 63.5 | 79.4 | 19.0 |
| 3" | 73.0 | 76.2 | 92.1 | 19.0 |
| 4" | 98.4 | 101.6 | 117.5 | 19.0 |
| 5" | 123.8 | 127.0 | 142.9 | 25.0 |
| 6" | 149.2 | 152.4 | 168.3 | 27.0 |

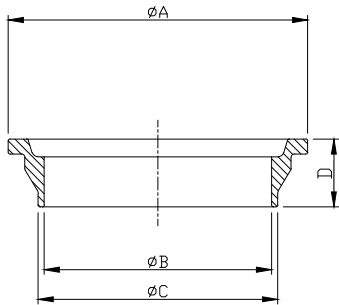
CIP-15 (AUS) FLAT FACE WELDING MALE PART



UNIT:mm

| SIZE | ϕA | ϕB | ϕC | D |
|------|----------|----------|----------|------|
| 1" | 25.4 | 22.2 | 45.7x8T | 22.0 |
| 1.5" | 38.1 | 34.9 | 58.4x8T | 22.0 |
| 2" | 50.8 | 47.6 | 72.7x6T | 22.0 |
| 2.5" | 63.5 | 60.3 | 85.4x6T | 22.0 |
| 3" | 76.2 | 73.0 | 98.1x6T | 22.0 |
| 4" | 101.6 | 98.4 | 123.5x6T | 22.0 |
| 5" | 127.0 | 123.8 | 148.9x6T | 22.0 |
| 6" | 152.4 | 149.2 | 174.3x6T | 22.0 |

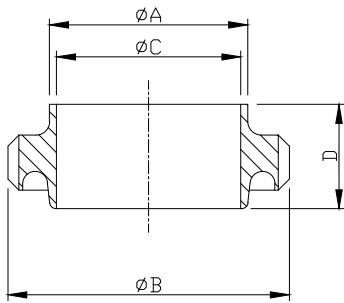
RJT-14 (NL) WELDING MACHINE LINER



UNIT:mm

| SIZE | ø A | ø B | ø C | D |
|------|-------|-------|-------|------|
| 1" | 41.3 | 22.2 | 25.8 | 18.0 |
| 1.5" | 54.0 | 34.9 | 38.5 | 18.0 |
| 2" | 66.7 | 47.6 | 51.2 | 18.0 |
| 2.5" | 79.4 | 60.3 | 63.9 | 18.0 |
| 3" | 92.1 | 73.0 | 76.6 | 18.0 |
| 4" | 117.5 | 97.6 | 102.0 | 18.0 |
| 5" | 142.9 | 122.8 | 127.0 | 25.0 |
| 6" | 168.3 | 148.2 | 152.7 | 23.0 |

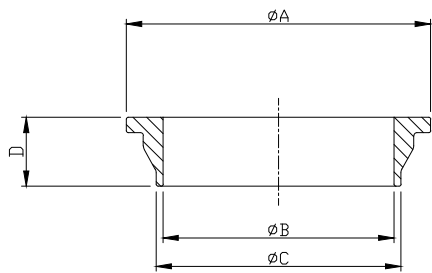
RJT-15 (NL) WELDING MALE PART



UNIT:mm

| SIZE | ø A | ø B | ø C | D |
|------|-------|----------|-------|------|
| 1" | 25.8 | 45.7x8T | 22.2 | 27.0 |
| 1.5" | 38.5 | 58.2x8T | 34.9 | 27.0 |
| 2" | 51.2 | 72.7x6T | 47.6 | 27.0 |
| 2.5" | 63.9 | 85.4x6T | 60.3 | 27.0 |
| 3" | 76.6 | 98.1x6T | 73.0 | 27.0 |
| 4" | 102.0 | 123.5x6T | 97.6 | 27.0 |
| 5" | 127.0 | 148.9x6T | 122.8 | 27.0 |
| 6" | 152.7 | 174.3x6T | 148.2 | 24.0 |

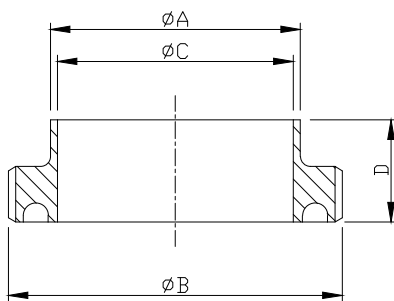
CIP-14 (NL) FLAT FACE WELDING LINER



UNIT:mm

| SIZE | ø A | ø B | ø C | D |
|------|-------|-------|-------|------|
| 1" | 41.3 | 22.2 | 25.8 | 18.0 |
| 1.5" | 54.0 | 34.9 | 38.5 | 18.0 |
| 2" | 66.7 | 47.6 | 51.2 | 18.0 |
| 2.5" | 79.4 | 60.3 | 63.9 | 18.0 |
| 3" | 92.1 | 73.0 | 76.6 | 18.0 |
| 4" | 117.5 | 97.6 | 102.0 | 18.0 |
| 5" | 142.9 | 122.8 | 127.0 | 25.0 |
| 6" | 168.3 | 148.2 | 152.7 | 23.0 |

CIP-15 (NL) FLAT FACE WELDING MALE PART



UNIT:mm

| SIZE | ø A | ø B | ø C | D |
|------|-------|----------|-------|------|
| 1" | 25.8 | 45.7x8T | 22.2 | 22.2 |
| 1.5" | 38.5 | 58.2x8T | 34.9 | 22.2 |
| 2" | 51.2 | 72.7x6T | 47.6 | 22.2 |
| 2.5" | 63.9 | 85.4x6T | 60.3 | 22.2 |
| 3" | 76.6 | 98.1x6T | 73.0 | 22.2 |
| 4" | 102.0 | 123.5x6T | 97.6 | 22.2 |
| 5" | 127.0 | 148.9x6T | 122.8 | 22.0 |
| 6" | 152.7 | 174.3x6T | 148.2 | 19.2 |

IDF UNION FITTINGS

IDF unions (International Dairy Federation) are smooth bore Hygienic Fitting with a crevice free design. They consist of a nut, weld liner and weld male with a 'T style' seal available in various materials.

1. Standards: BS 4825 Part 4.

2. Applications:

For the Food, Beverage, and other Hygiene Industry

3. Materials:

Hex Nut.....TP-304, 316
 Round slotted Nut.....TP-304
 Liner.....TP-304, 316
 Male part.....TP-304, 316L
 Seal.....EPDM, Silicone, Buna-N, Viton.

4. Surface Finished: Ra Max 0.8um.

5. Size range: Imperial 1"----4"

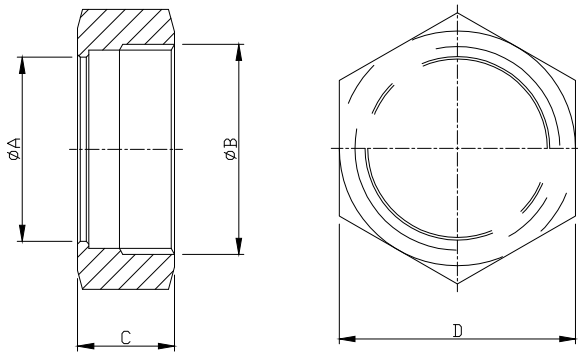


IDF (International Dairy Federation) is common in the UK and Europe.

(Also known as International Sanitary Standard)



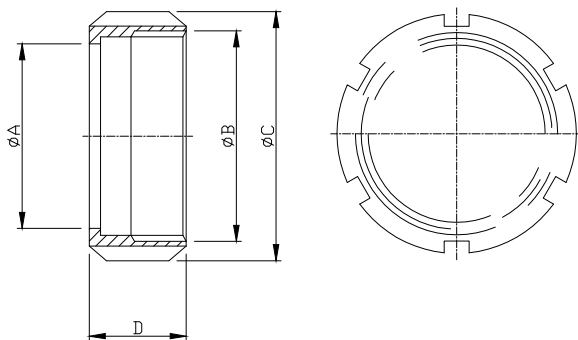
IDF-13H HEX NUT



UNIT:mm

| SIZE | $\varnothing A$ | $\varnothing B$ | C | D |
|------|-----------------|-----------------|------|-------|
| 1" | 30.5 | 38.02x1/8T | 30.0 | 46.0 |
| 1.5" | 43.5 | 51.54x1/8T | 30.0 | 60.0 |
| 2" | 57.0 | 65.05x1/8T | 30.0 | 75.0 |
| 2.5" | 70.7 | 78.56x1/8T | 30.0 | 90.0 |
| 3" | 83.3 | 92.08x1/8T | 30.0 | 105.0 |
| 4" | 112.0 | 126.79x1/6T | 35.0 | 133.0 |

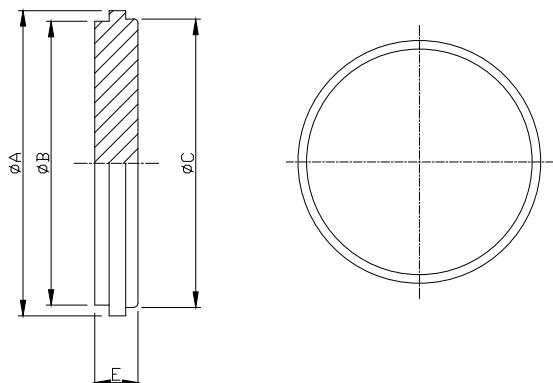
IDF-13R ROUND SLOTTED NUT



UNIT:mm

| SIZE | $\varnothing A$ | $\varnothing B$ | $\varnothing C$ | D |
|------|-----------------|-----------------|-----------------|------|
| 1" | 30.5 | 38.02x1/8T | 48.0 | 30.0 |
| 1.5" | 43.5 | 51.54x1/8T | 64.0 | 30.0 |
| 2" | 57.0 | 65.05x1/8T | 77.0 | 30.0 |
| 2.5" | 70.7 | 78.56x1/8T | 91.0 | 30.0 |
| 3" | 83.3 | 92.08x1/8T | 106.0 | 30.0 |
| 4" | 112.0 | 126.79x1/6T | 142.0 | 35.0 |

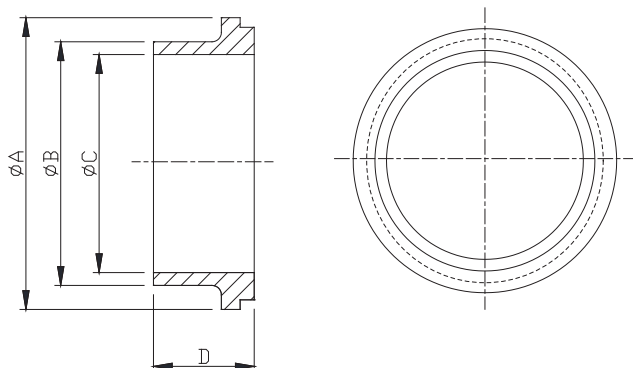
IDF-14AH (16A) BLANK LINER



UNIT:mm

| SIZE | $\varnothing A$ | $\varnothing B$ | $\varnothing C$ | E |
|------|-----------------|-----------------|-----------------|------|
| 1" | 33.8 | 29.5 | 29.2 | 10.5 |
| 1.5" | 47.0 | 42.5 | 42.7 | 10.5 |
| 2" | 60.5 | 55.7 | 56.2 | 10.5 |
| 2.5" | 74.0 | 68.8 | 69.9 | 10.5 |
| 3" | 87.5 | 81.9 | 82.6 | 10.5 |
| 4" | 120.6 | 111.0 | 111.1 | 12.6 |

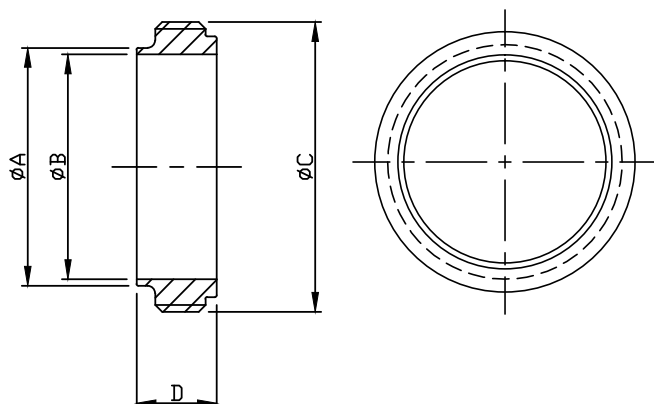
IDF-14 WELDING LINER



UNIT:mm

| SIZE | $\varnothing A$ | $\varnothing B$ | $\varnothing C$ | D |
|------|-----------------|-----------------|-----------------|------|
| 1" | 33.8 | 25.65 | 22.2 | 21.5 |
| 1.5" | 47.0 | 38.35 | 34.9 | 21.5 |
| 2" | 60.5 | 51.05 | 47.6 | 21.5 |
| 2.5" | 74.0 | 63.75 | 60.3 | 21.5 |
| 3" | 87.5 | 76.45 | 73.0 | 21.5 |
| 4" | 120.6 | 101.85 | 97.6 | 30.0 |

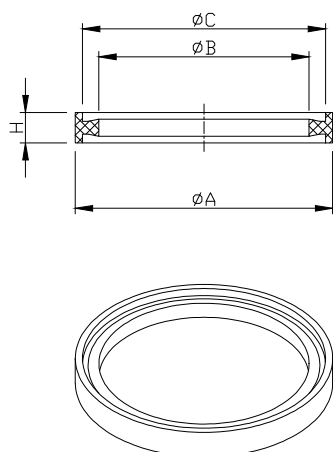
IDF-15 WELDING MALE PART



UNIT:mm

| SIZE | $\varnothing A$ | $\varnothing B$ | $\varnothing C$ | D |
|------|-----------------|-----------------|-----------------|------|
| 1" | 25.65 | 22.2 | 37.13x1/8 | 21.5 |
| 1.5" | 38.35 | 34.9 | 50.65x1/8 | 21.5 |
| 2" | 51.05 | 47.6 | 64.16x1/8 | 21.5 |
| 2.5" | 63.75 | 60.3 | 77.67x1/8 | 21.5 |
| 3" | 76.45 | 73.0 | 91.19x1/8 | 21.5 |
| 4" | 101.85 | 97.6 | 125.9x1/6 | 30.0 |

SEAL FOR IDF UNION



UNIT:mm

| SIZE | $\varnothing A$ | $\varnothing B$ | $\varnothing C$ | H |
|------|-----------------|-----------------|-----------------|-----|
| 1" | 32.5 | 23.2 | 29.2 | 7.0 |
| 1.5" | 46.0 | 35.9 | 42.7 | 7.0 |
| 2" | 59.5 | 48.6 | 56.2 | 7.0 |
| 2.5" | 73.2 | 61.3 | 69.9 | 7.0 |
| 3" | 86.5 | 74.0 | 82.6 | 7.0 |
| 4" | 119.0 | 98.6 | 111.0 | 9.6 |