

SANITARY FITTINGS

WELDING & CLAMP FITTINGS

Sanitary fittings (Hygienic fittings) were developed and are used because they are cleanable; either by dismantling a system and manually cleaning it or using a CIP (clean in place) process including in beverage, cosmetic, dairy and food process industries.



ELBOW

彎頭



REDUCER

大小頭



TEE

三通



CROSS

四通



CAP

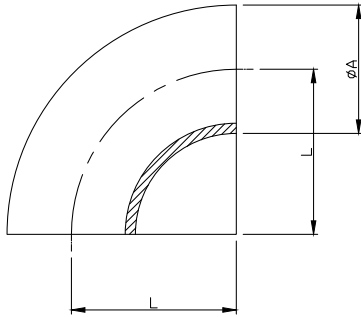
管帽



SANFIT Metal offers a variety of sanitary fittings with high quality and competitive prices.

Components are fast and easy to take down and become increasingly popular in home breweries, too.

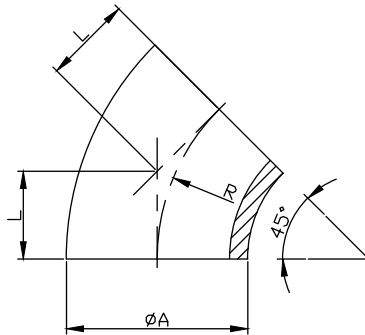
3A-2WC 90° BUTT-WELD SHORT ELBOW



UNIT:mm

SIZE	ϕA	L
1/2"	12.7	19.05
3/4"	19.05	28.6
1"	25.4	38.1
1.2"	31.8	47.7
1.5"	38.1	57.2
2"	50.8	76.2
2.5"	63.5	95.3
3"	76.2	114.3
4"	101.6	152.4
6"	152.4	228.6

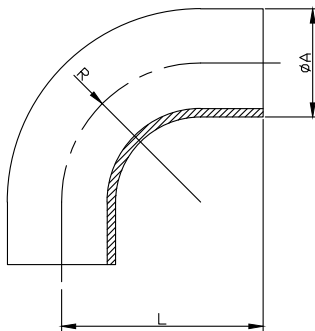
3A-2WK 45° BUTT-WELD SHORT ELBOW



UNIT:mm

SIZE	ϕA	L	R
1/2"	12.7	7.9	19.07
3/4"	19.05	11.9	28.7
1"	25.4	15.9	38.4
1.5"	38.1	23.8	57.5
2"	50.8	31.8	76.8
2.5"	63.5	39.7	95.8
3"	76.2	47.6	114.9
4"	101.6	63.5	153.3
6"	152.4	95.3	230.1

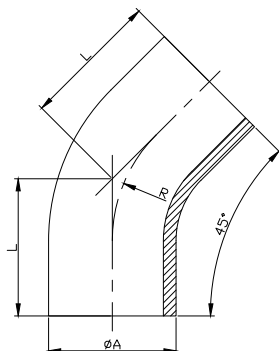
3A-L2S 90° BUTT-WELD LONG ELBOW



UNIT:mm

SIZE	ϕA	L	R
1/2"	12.7	76.2	19.05
3/4"	19.05	76.2	28.6
1"	25.4	52.4	38.1
1.5"	38.1	74.6	57.15
2"	50.8	103.2	76.2
2.5"	63.5	131.8	95.25
3"	76.2	160.3	114.3
4"	101.6	211.1	152.4
6"	152.4	292.1	228.6

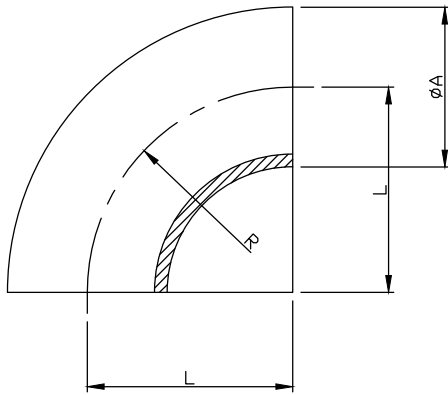
3A-L2KS 45° BUTT-WELD LONG ELBOW



UNIT:mm

SIZE	ϕA	L	R
1/2"	12.7	30.2	19.07
3/4"	19.05	30.2	28.7
1"	25.4	30.2	38.4
1.5"	38.1	41.3	57.5
2"	50.8	58.7	76.8
2.5"	63.5	76.2	95.8
3"	76.2	93.7	114.9
4"	101.6	122.2	153.3
6"	152.4	158.2	230.1

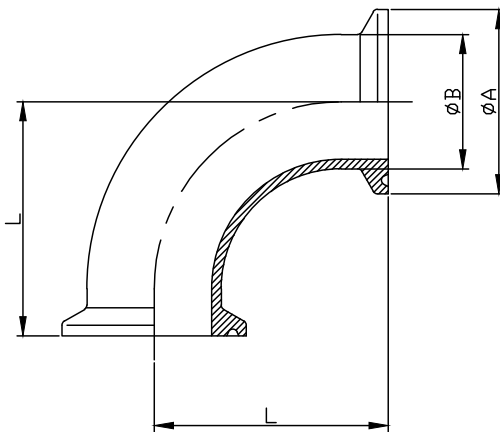
IDF-2WC 90° BUTT-WELD SHORT ELBOW



UNIT:mm

SIZE	$\varnothing A$	L	R
1"	25.4	33.5	33.5
1.2"	31.8	38.0	38.0
1.5"	38.1	48.5	48.5
2"	50.8	60.5	60.5
2.5"	63.5	83.5	83.5
3"	76.2	88.5	88.5
4"	101.6	127.0	127.0

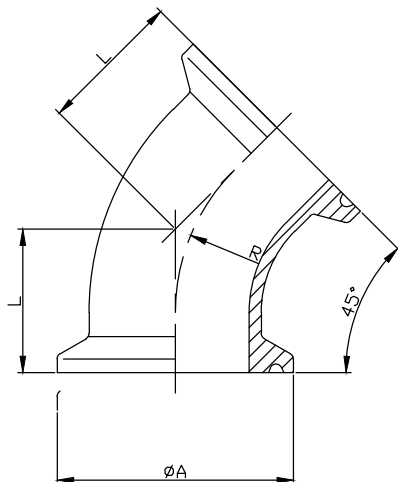
3A-2CMP 90° CLAMP ENDS SHORT ELBOW



UNIT:mm

SIZE	$\varnothing A$	$\varnothing B$	L
1/2"	25.2	12.7	31.8
3/4"	25.2	19.05	41.3
1"	50.5	25.4	50.8
1.5"	50.5	38.1	69.9
2"	64.0	50.8	88.9
2.5"	77.5	63.5	108.0
3"	91.0	76.2	127.0
4"	119.0	101.6	168.3
6"	166.8	152.4	266.7

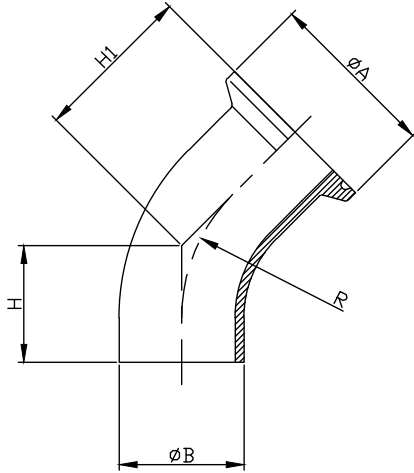
3A-2KMP 45° CLAMP ENDS SHORT ELBOW



UNIT:mm

SIZE	$\varnothing A$	L	R
1/2"	25.2	19.8	19.07
1/2"	25.2	35.5	19.07
3/4"	25.2	24.6	28.7
3/4"	25.2	34.4	28.7
1"	50.5	28.6	38.4
1.5"	50.5	36.5	57.5
2"	64.0	44.5	76.8
2.5"	77.5	52.4	95.8
3"	91.0	60.3	114.9
4"	119.0	79.4	153.3
6"	166.8	133.4	230.1

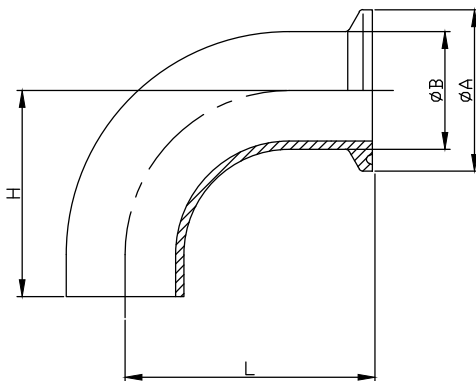
3A-2KMD 45° SHORT ELBOW ONE END CLAMP



UNIT:mm

SIZE	Ø A	Ø B	R	H	H1
1"	50.5	25.4	33.5	30.2	45.9
1.5"	50.5	38.1	38.0	41.3	54.0
2"	64.0	50.8	48.5	58.7	71.4
2.5"	77.5	63.5	60.5	76.2	88.9
3"	91.0	76.2	83.5	93.7	106.4
4"	119.0	101.6	88.5	122.2	138.1

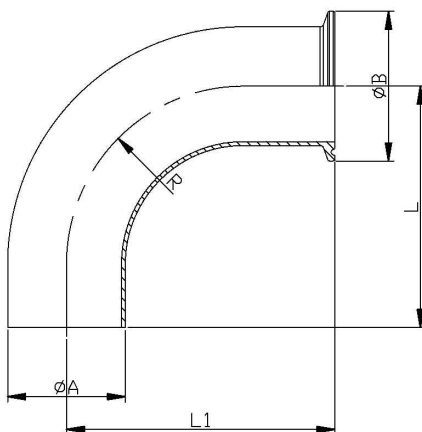
3A-2CMD 90° SHORT ELBOW ONE END CLAMP



UNIT:mm

SIZE	Ø A	Ø B	H	L
1"	50.5	25.4	38.1	50.8
1.5"	50.5	38.1	57.2	69.9
2"	64.0	50.8	76.2	88.9
2.5"	77.5	63.5	95.3	108.0
3"	91.0	76.2	114.3	127.0
4"	119.0	101.6	152.4	168.3

3A-L2CMD 90° LONG ELBOW ONE END CLAMP

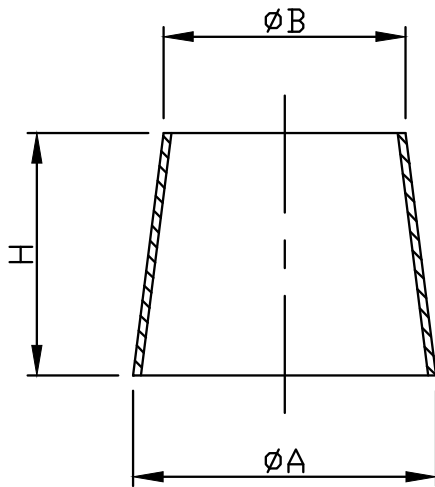


UNIT:mm

SIZE	Ø A	Ø B	L	L1	R
1"	25.4	50.5	52.4	65.1	38.1
1.5"	38.1	50.5	74.6	87.3	57.15
2"	50.8	64.0	103.2	115.9	76.2
2.5"	63.5	77.5	131.8	144.5	95.25
3"	76.2	91.0	160.3	173.0	114.3
4"	101.6	119.0	211.1	227.0	152.4

3A-31W CONCENTRIC REDUCER (WELD)

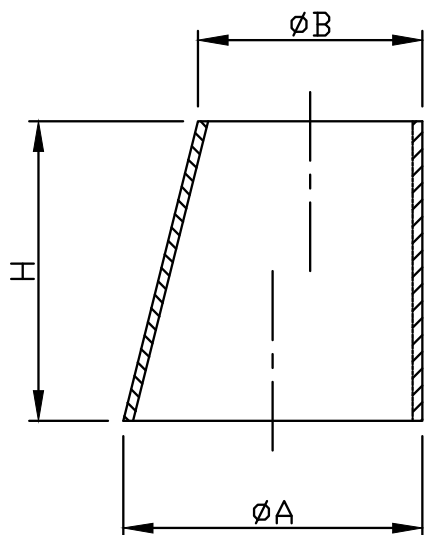
UNIT:mm



SIZE	$\varnothing A$	$\varnothing B$	H
3/4"x1/2"	19.05	12.7	25.4
1"x1/2"	25.4	12.7	50.8
1"x3/4"	25.4	19.05	25.4
1.2"x1"	31.8	25.4	25.4
1.5"x1/2"	38.1	12.7	101.6
1.5"x3/4"	38.1	19.05	76.2
1.5"x1"	38.1	25.4	50.8
1.5"x1.2"	38.1	31.8	38.1
2"x1"	50.8	25.4	101.6
2"x1.2"	50.8	31.8	50.8
2"x1.5"	50.8	38.1	50.8
2.5"x1"	63.5	25.4	152.4
2.5"x1.5"	63.5	38.1	101.6
2.5"x2"	63.5	50.8	50.8
3"x1"	76.2	25.4	203.2
3"x1.5"	76.2	38.1	152.4
3"x2"	76.2	50.8	101.6
3"x2.5"	76.2	63.5	50.8
4"x1.5"	101.6	38.1	254
4"x2"	101.6	50.8	203.2
4"x2.5"	101.6	63.5	152.4
4"x3"	101.6	76.2	101.6
6"x2"	152.4	50.8	139.7
6"x3"	152.4	76.2	139.7
6"x4"	152.4	101.6	139.7

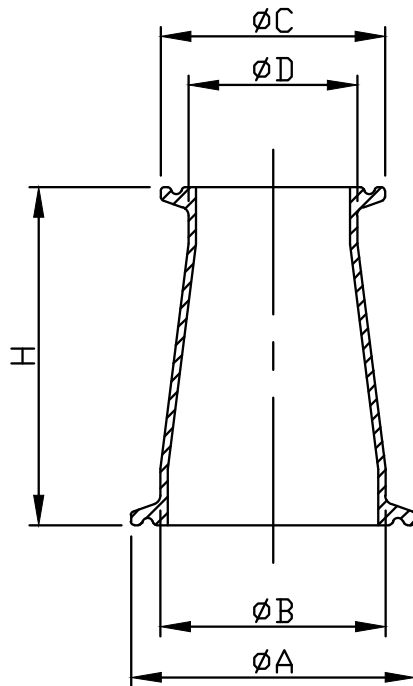
3A-32W ECCENTRIC REDUCER (WELD)

UNIT:mm



SIZE	$\varnothing A$	$\varnothing B$	H
3/4"x1/2"	19.05	12.7	25.4
1"x1/2"	25.4	12.7	50.8
1"x3/4"	25.4	19.05	25.4
1.5"x1/2"	38.1	12.7	101.6
1.5"x3/4"	38.1	19.05	76.2
1.5"x1"	38.1	25.4	50.8
2"x1"	50.8	25.4	101.6
2"x1.5"	50.8	38.1	50.8
2.5"x1.5"	63.5	38.1	101.6
2.5"x2"	63.5	50.8	50.8
3"x1.5"	76.2	38.1	152.4
3"x2"	76.2	50.8	101.6
3"x2.5"	76.2	63.5	50.8
4"x1.5"	101.6	38.1	254.0
4"x2"	101.6	50.8	203.2
4"x2.5"	101.6	63.5	152.4
4"x3"	101.6	76.2	101.6
6"x2"	152.4	50.8	139.7
6"x3"	152.4	76.2	139.7
6"x4"	152.4	101.6	139.7

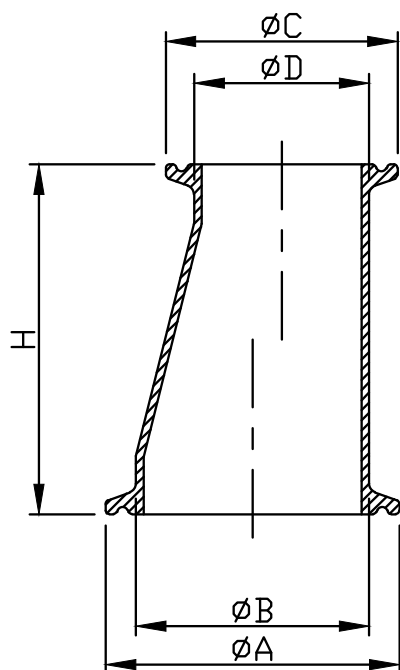
3A-31MP CONCENTRIC REDUCER (CLAMP)



UNIT:mm

SIZE	$\varnothing A$	$\varnothing B$	$\varnothing C$	$\varnothing D$	H
1"x1½"	50.5	25.4	25.2	12.7	76.2
1"x¾"	50.5	25.4	25.2	19.05	50.8
1.5"x1½"	50.5	38.1	25.2	12.7	127
1.5"x¾"	50.5	38.1	25.2	19.05	101.6
1.5"x1"	50.5	38.1	50.5	25.4	76.2
2"x1"	64.0	50.8	50.5	25.4	127.0
2"x1.5"	64.0	50.8	50.5	38.1	76.2
2.5"x1"	77.5	63.5	50.5	25.4	177.8
2.5"x1.5"	77.5	63.5	50.5	38.1	127.0
2.5"x2"	77.5	63.5	64.0	50.8	76.2
3"x1.5"	91.0	76.2	50.5	38.1	177.8
3"x2"	91.0	76.2	64.0	50.8	127.0
3"x2.5"	91.0	76.2	77.5	63.5	76.2
4"x2"	119.0	101.6	64.0	50.8	231.8
4"x2.5"	119.0	101.6	77.5	63.5	181.0
4"x3"	119.0	101.6	91.0	76.2	130.2
6"x3"	166.8	152.4	91.0	76.2	174.6
6"x4"	166.8	152.4	119.0	101.6	177.8

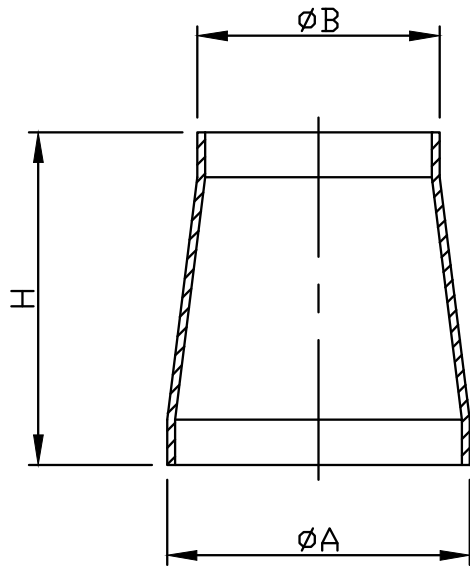
3A-32MP ECCENTRIC REDUCER (CLAMP)



UNIT:mm

SIZE	$\varnothing A$	$\varnothing B$	$\varnothing C$	$\varnothing D$	H
1"x1½"	50.5	25.4	25.2	12.7	76.2
1"x¾"	50.5	25.4	25.2	19.05	50.8
1.5"x1½"	50.5	38.1	25.2	12.7	127
1.5"x¾"	50.5	38.1	25.2	19.05	101.6
1.5"x1"	50.5	38.1	50.5	25.4	76.2
2"x1"	64.0	50.8	50.5	25.4	127
2"x1.5"	64.0	50.8	50.5	38.1	76.2
2.5"x1.5"	77.5	63.5	50.5	38.1	127
2.5"x2"	77.5	63.5	64.0	50.8	76.2
3"x1.5"	91.0	76.2	50.5	38.1	177.8
3"x2"	91.0	76.2	64.0	50.8	127
3"x2.5"	91.0	76.2	77.5	63.5	76.2
4"x2"	119.0	101.6	64.0	50.8	231.8
4"x2.5"	119.0	101.6	77.5	63.5	181
4"x3"	119.0	101.6	91.0	76.2	130.2

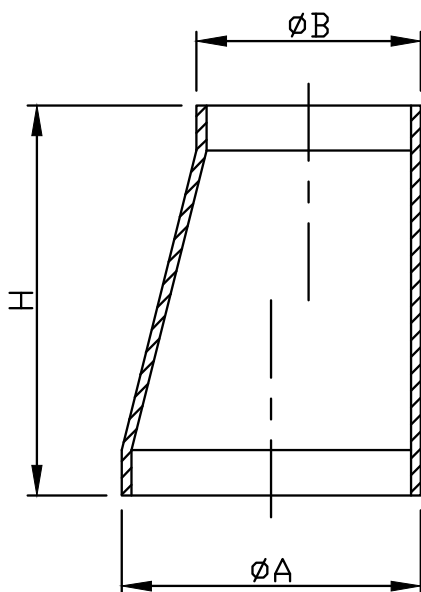
SMS-31W CONCENTRIC REDUCER (WELD)



UNIT:mm

SIZE	$\varnothing A$	$\varnothing B$	H
1.2"x3/4"	31.8	19.05	57.0
1.2"x1"	31.8	25.4	39.0
1.5"x1"	38.1	25.4	39.0
1.5"x1.2"	38.1	31.8	39.0
2"x1"	50.8	25.4	57.0
2"x1.5"	50.8	38.1	39.0
2.5"x1"	63.5	25.4	74.0
2.5"x1.5"	63.5	38.1	57.0
2.5"x2"	63.5	50.8	39.0
3"x1"	76.2	25.4	92.0
3"x1.5"	76.2	38.1	74.0
3"x2"	76.2	50.8	57.0
3"x2.5"	76.2	63.5	39.0
4"x2"	101.6	50.8	95.0
4"x2.5"	101.6	63.5	78.0
4"x3"	101.6	76.2	60.0

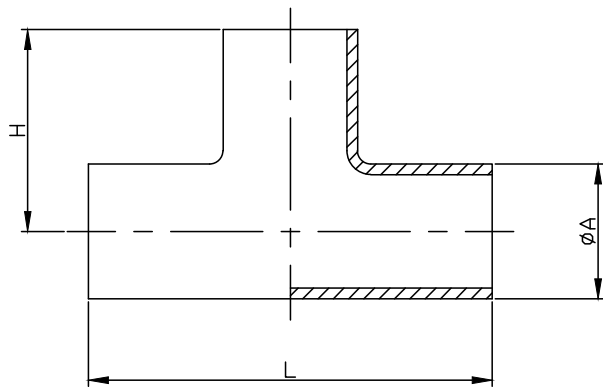
SMS-32W ECCENTRIC REDUCER (WELD)



UNIT:mm

SIZE	$\varnothing A$	$\varnothing B$	H
1.5"x1"	38.1	25.4	46.0
2"x1"	50.8	25.4	68.0
2"x1.5"	50.8	38.1	47.0
2.5"x1"	63.5	25.4	92.0
2.5"x1.5"	63.5	38.1	70.0
2.5"x2"	63.5	50.8	44.0
3"x1.5"	76.2	38.1	92.0
3"x2"	76.2	50.8	68.0
3"x2.5"	76.2	63.5	47.0
4"x2"	101.6	50.8	117.0
4"x2.5"	101.6	63.5	94.0
4"x3"	101.6	76.2	74.0

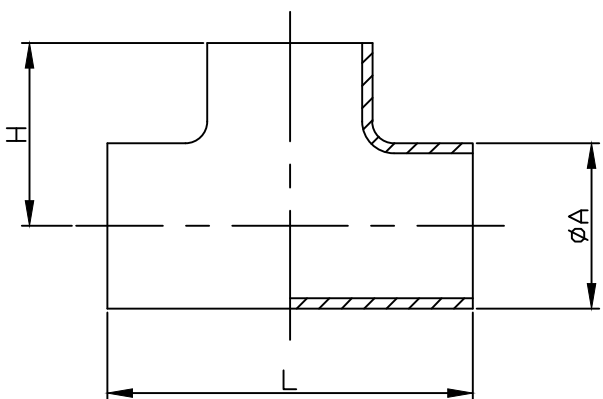
3A-7W LONG WELD TEE



UNIT:mm

SIZE	Ø A	L	H
1/2"	12.7	107.9	53.9
3/4"	19.05	107.9	53.9
1"	25.4	95.3	47.6
1.5"	38.1	114.3	57.2
2"	50.8	152.4	76.2
2.5"	63.5	152.4	76.2
3"	76.2	165.1	82.6
4"	101.6	196.9	98.5
6"	152.4	285.8	142.9

3A-7WWW SHORT WELD TEE

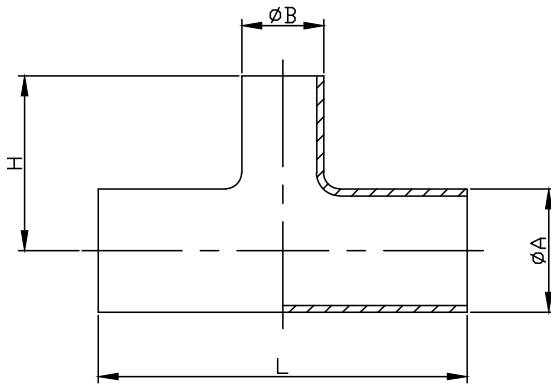


UNIT:mm

SIZE	Ø A	L	H
1/2"	12.7	45.0	22.5
3/4"	19.1	57.2	28.6
1"	25.4	57.2	28.6
1.2"	31.8	76.2	38.1
1.5"	38.1	84.2	42.1
2"	50.8	104.8	52.4
2.5"	63.5	119.0	59.5
3"	76.2	131.8	65.9
4"	101.6	174.4	87.3
6"	152.4	254.0	127.0

3A-7RW LONG WELD REDUCING TEE

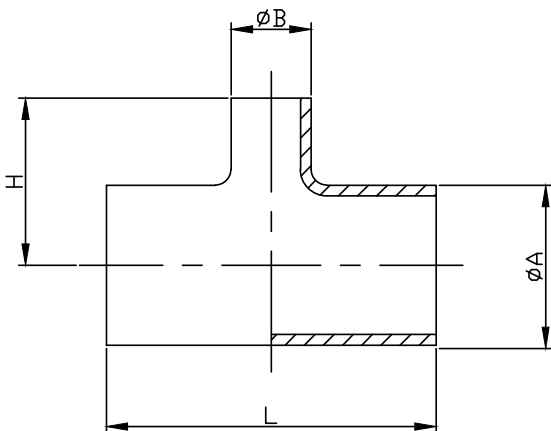
UNIT:mm



SIZE	ϕA	ϕB	L	H
3/4"x1/2"	19.1	12.7	95.2	25.4
1"x1/2"	25.4	12.7	95.2	43.5
1"x3/4"	25.4	19.05	95.2	50.8
1.5"x1/2"	38.1	12.7	114.4	56.4
1.5"x3/4"	38.1	19.05	114.4	48.5
1.5"x1"	38.1	25.4	114.4	54.0
2"x1/2"	50.8	12.7	152.4	74.6
2"x3/4"	50.8	19.05	152.4	60.3
2"x1"	50.8	25.4	152.4	60.3
2"x1.5"	50.8	38.1	152.4	63.5
2.5"x1"	63.5	25.4	152.4	69.9
2.5"x1.5"	63.5	38.1	152.4	69.9
2.5"x2"	63.5	50.8	152.4	76.2
3"x1"	76.2	25.4	165.2	76.2
3"x1.5"	76.2	38.1	165.2	85.7
3"x2"	76.2	50.8	165.2	89.4
3"x2.5"	76.2	63.5	165.2	89.4
4"x1"	101.6	25.4	196.8	101.6
4"x1.5"	101.6	38.1	196.8	101.6
4"x2"	101.6	50.8	196.8	101.6
4"x2.5"	101.6	63.5	196.8	94.2
4"x3"	101.6	76.2	196.8	95.3
6"x2"	152.4	50.8	254.0	120.7
6"x3"	152.4	76.2	254.0	123.8
6"x4"	152.4	101.6	254.0	120.7

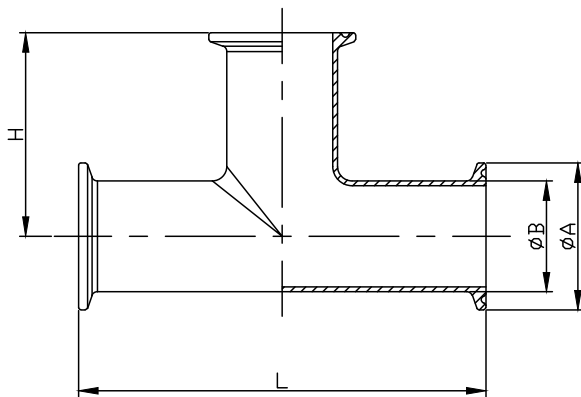
3A-7RWWW SHORT WELD REDUCING TEE

UNIT:mm



SIZE	ϕA	ϕB	L	H
1"x1/2"	25.4	12.7	57.5	28.3
1"x3/4"	25.4	19.05	57.5	28.3
1.5"x1/2"	38.1	12.70	84.1	35.0
1.5"x3/4"	38.1	19.05	84.1	34.5
1.5"x1"	38.1	25.4	84.1	34.9
2"x1"	50.8	25.4	104.8	41.6
2"x1.5"	50.8	38.1	104.8	48.4
2.5"x1"	63.5	25.4	119.0	47.6
2.5"x1.5"	63.5	38.1	119.0	51.7
2.5"x2"	63.5	50.8	119.0	58.1
3"x1"	76.2	25.4	132.0	54.0
3"x1.5"	76.2	38.1	132.0	62.0
3"x2"	76.2	50.8	132.0	65.4
3"x2.5"	76.2	63.5	132.0	67.4
4"x1"	101.6	25.4	174.6	66.7
4"x1.5"	101.6	38.1	174.6	73.8
4"x2"	101.6	50.8	174.6	77.8
4"x2.5"	101.6	63.5	174.6	78.6
4"x3"	101.6	76.2	174.6	78.6
6"x3"	152.4	76.2	254.0	120.7
6"x4"	152.4	101.6	254.0	123.8

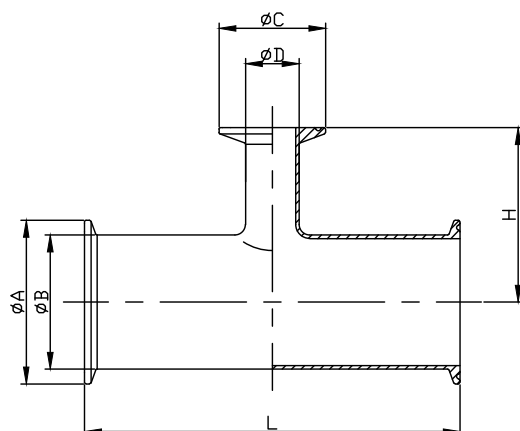
3A-7MP CLAMP TEE



UNIT:mm

SIZE	Ø A	Ø B	L	H
1/2"	25.4	12.7	82.6	41.3
1/2"	25.4	12.7	133.4	66.7
3/4"	25.4	19.05	82.6	41.3
3/4"	25.4	19.05	133.4	66.7
1"	50.5	25.4	120.6	60.3
1.5"	50.5	38.1	140.0	70.0
2"	64.0	50.8	177.8	88.9
2.5"	77.5	63.5	177.8	88.9
3"	91.0	76.2	190.6	95.3
4"	119.0	101.6	228.8	114.4
6"	166.8	152.4	330.2	165.1

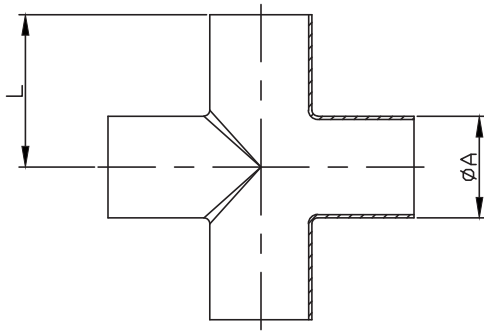
3A-7RMP REDUCING CLAMP TEE



UNIT:mm

SIZE	Ø A	Ø B	Ø C	Ø D	L	H
1"x1/2"	50.5	25.4	25.2	12.7	120.6	60.2
1"x3/4"	50.5	25.4	25.2	19.05	120.6	60.2
1.5"x1/2"	50.5	38.1	25.2	12.7	139.8	66.8
1.5"x3/4"	50.5	38.1	25.2	19.05	139.8	66.8
1.5"x1"	50.5	38.1	50.5	25.4	139.8	66.8
2"x1/2"	64.0	50.8	25.2	12.7	177.8	73.0
2"x3/4"	64.0	50.8	25.2	19.05	177.8	73.0
2"x1"	64.0	50.8	50.5	25.4	177.8	73.0
2"x1.5"	64.0	50.8	50.5	38.1	177.8	76.2
2"x1/2"	77.5	63.5	25.2	12.7	177.8	83.0
2.5"x1"	77.5	63.5	50.5	25.4	177.8	83.0
2.5"x1.5"	77.5	63.5	50.5	38.1	177.8	83.0
2.5"x2"	77.5	63.5	64.0	50.8	177.8	95.2
3"x1"	91.0	76.2	50.5	25.4	190.6	90.5
3"x1.5"	91.0	76.2	50.5	38.1	190.6	89.0
3"x2"	91.0	76.2	64.0	50.8	190.6	101.6
3"x2.5"	91.0	76.2	77.5	63.5	190.6	95.4
4"x1.5"	119.0	101.6	50.5	38.1	228.6	114.3
4"x2"	119.0	101.6	64.0	50.8	228.6	114.3
4"x2.5"	119.0	101.6	77.5	63.5	228.6	107.9
4"x3"	119.0	101.6	91.0	76.2	228.6	107.9

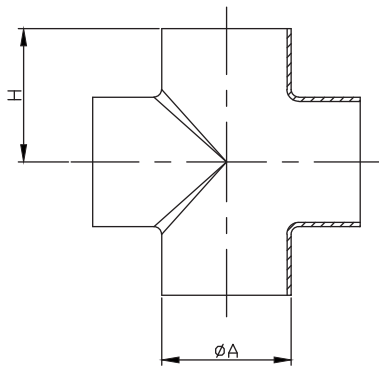
3A-9W LONG WELD CROSS



UNIT:mm

SIZE	ø A	L
3/4"	19.05	47.6
1"	25.4	47.6
1.5"	38.1	57.2
2"	50.8	76.2
2.5"	63.5	76.2
3"	76.2	82.6
4"	101.6	98.5

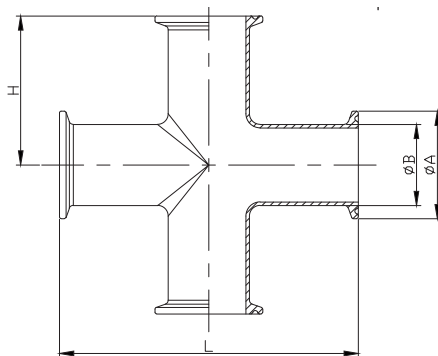
3A-9WWW SHORT WELD CROSS



UNIT:mm

SIZE	ø A	H
3/4"	19.05	28.6
1"	25.4	28.6
1.5"	38.1	42.1
2"	50.8	52.4
2.5"	63.5	59.5
3"	76.2	65.9
4"	101.6	87.3

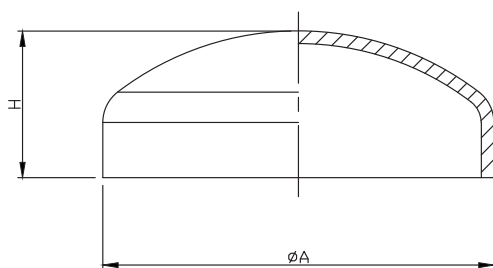
3A-9MP CLAMP CROSS



UNIT:mm

SIZE	ø A	ø B	L	H
3/4"	25.4	19.05	82.6	41.3
3/4"	25.4	19.05	133.4	66.7
1"	50.5	25.4	120.6	60.3
1.5"	50.5	38.1	140.0	70.0
2"	64.0	50.8	177.8	88.9
2.5"	77.5	63.5	177.8	88.9
3"	91.0	76.2	190.6	95.3
4"	119.0	101.6	228.8	114.4

3A-16W END CAP



UNIT:mm

SIZE	ø A	H
1"	25.4	9.5
1.5"	38.1	14.3
2"	50.8	19.1
2.5"	63.5	25.4
3"	76.2	31.8
4"	101.6	38.1
6"	152.4	50.8
8"	203.2	63.5