

 Sanfit Metal


I-LINE FITTINGS

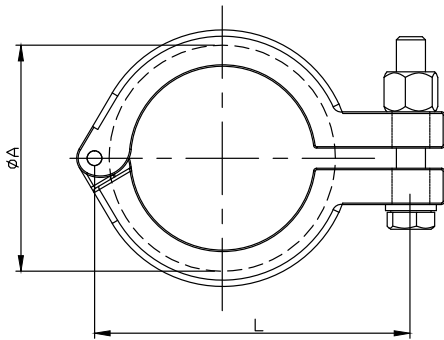
Popular version of clamp fitting, I-Line connections utilize interlocking male and female flange ferrules, gaskets and clamps.

The metal-to-metal design reduces the chances of over compression during installation. Given the design, I-Line fittings are able to withstand higher vibrations, temperatures and pressures.

**13IS****13IU****14WI****15WI****14WLI****15WLI****16AI-14I****16AI-15I**

I-Line fittings comply with 3-A standards for CIP and manual cleaning.

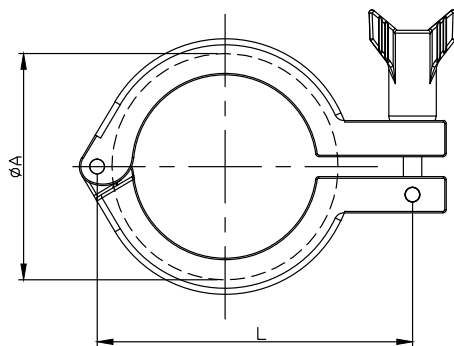
13IU – I-LINE BOLTED CLAMP



UNIT:mm

SIZE	ø A	L
1"-1.5"	55.2	89.0
2"	71.7	102.8
2.5"	88.6	124.7
3"	99.4	145.0
4"	128.3	172.2
6"	195.0	230.5

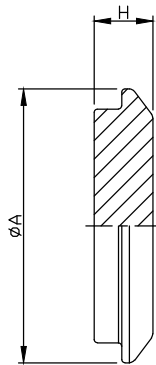
13IS – I-LINE CLAMP



UNIT:mm

SIZE	ø A	L
1"-1.5"	55.2	89.0
2"	71.7	102.8
2.5"	88.6	124.7
3"	99.4	145.0
4"	128.3	172.2
6"	195.0	230.5

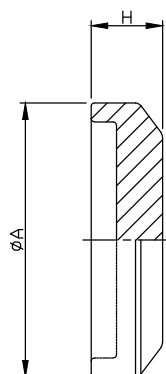
16AI-14I – MALE I-LINE SOLID END CAP



UNIT:mm

SIZE	ø A	H
1"	50.8	12.7
1.5"	50.8	12.7
2"	66.7	14.3
2.5"	84.1	19.05
3"	98.4	19.05
4"	123.8	19.05

16AI-15I – FEMALE I-LINE SOLID END CAP

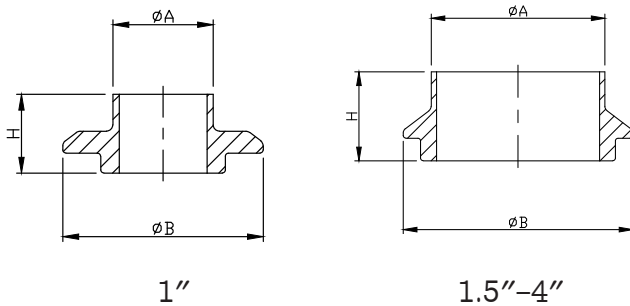


UNIT:mm

SIZE	ø A	H
1"	50.8	12.7
1.5"	50.8	12.7
2"	66.7	17.4
2.5"	84.1	19.05
3"	98.4	19.05
4"	123.8	19.05

14WI – MALE I-LINE SHORT WELD FERRULE

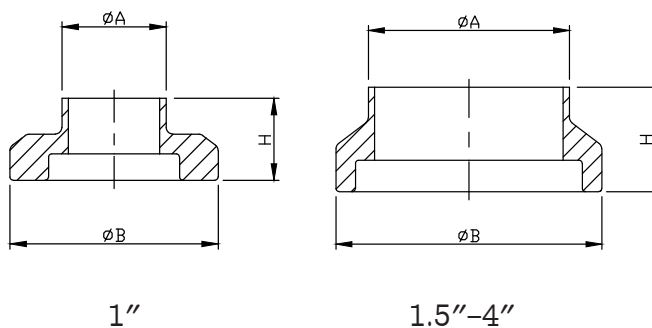
UNIT:mm



SIZE	$\varnothing A$	$\varnothing B$	H
1"	25.40	50.8	19.99
1.5"	38.10	50.8	24.00
2"	50.80	67.18	26.00
2.5"	63.50	84.12	28.55
3"	76.20	98.43	31.00
4"	101.60	123.83	34.11

15WI – FEMALE I-LINE SHORT WELD FERRULE

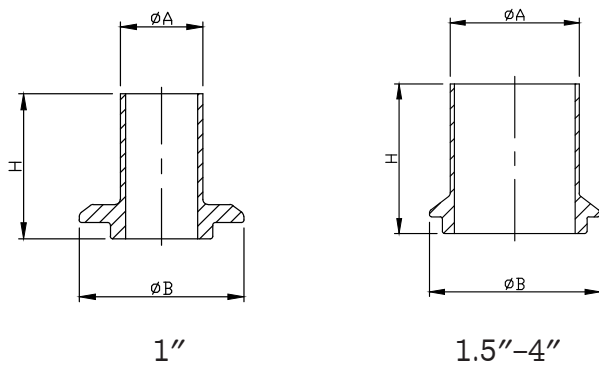
UNIT:mm



SIZE	$\varnothing A$	$\varnothing B$	H
1"	25.40	50.80	19.84
1.5"	38.10	50.80	23.83
2"	50.80	67.18	26.20
2.5"	63.50	84.12	29.36
3"	76.20	98.43	30.96
4"	101.60	123.83	34.14

14WLI – MALE I-LINE LONG WELD FERRULE

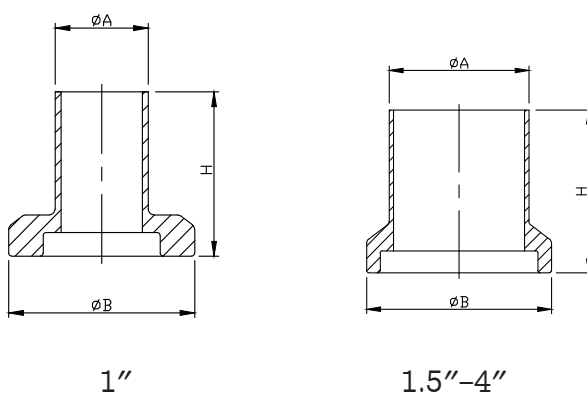
UNIT:mm



SIZE	$\varnothing A$	$\varnothing B$	H
1"	25.40	50.8	44.5
1.5"	38.10	50.8	51.6
2"	50.80	67.18	58.7
2.5"	63.50	84.12	63.5
3"	76.20	98.43	68.3
4"	101.60	123.83	76.2

15WLI – FEMALE I-LINE LONG WELD FERRULE

UNIT:mm



SIZE	$\varnothing A$	$\varnothing B$	H
1"	25.40	50.8	44.5
1.5"	38.10	50.8	51.6
2"	50.80	67.18	58.7
2.5"	63.50	84.12	63.5
3"	76.20	98.43	68.3
4"	101.60	123.83	76.2